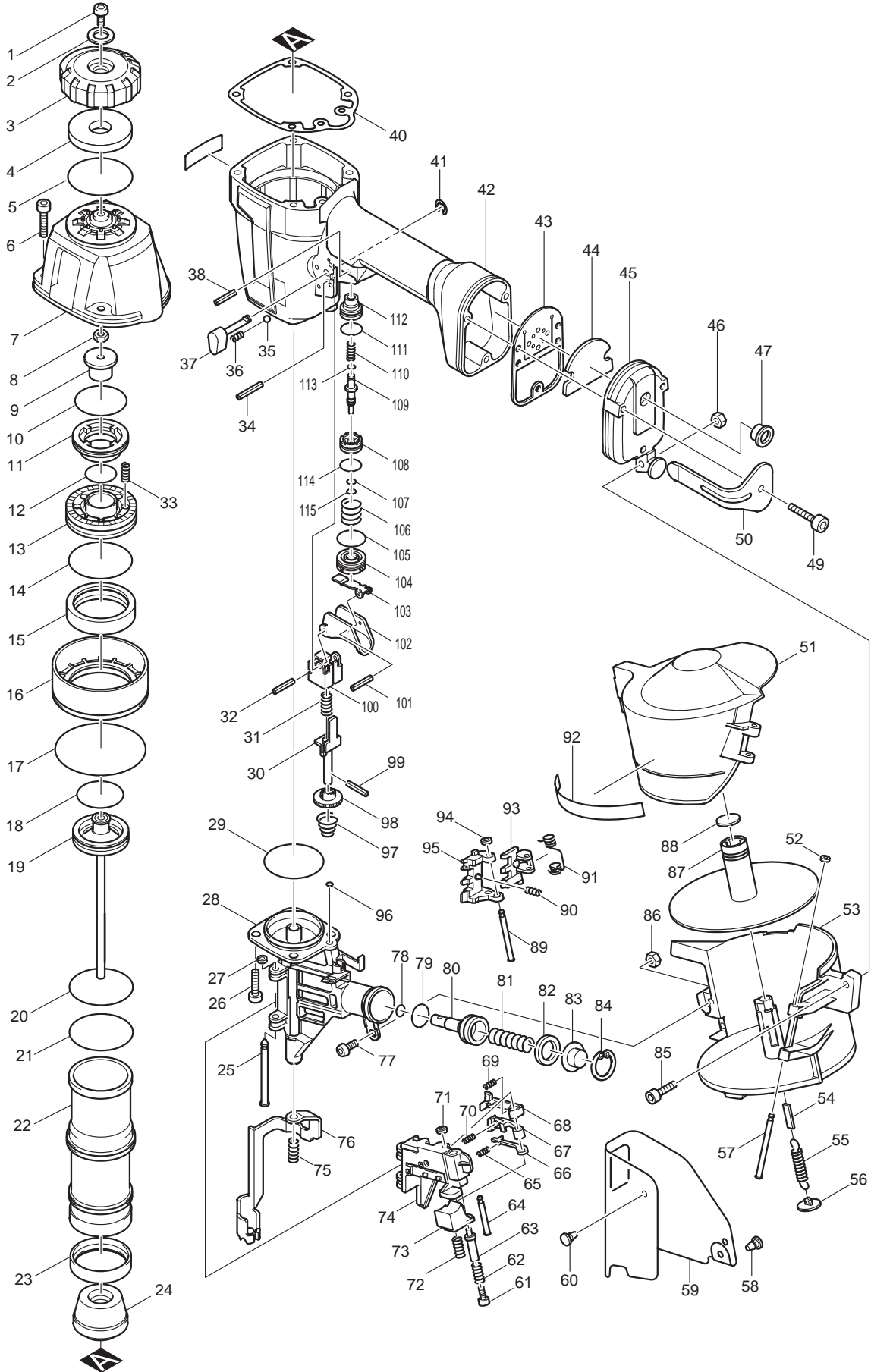




03 - 2010
AN611
COIL SIDING NAILER



Item No	Type	Ref	Part No	Description	Qty	Unit
1			266169-2	H.S. BUTTON HEAD BOLT M5X12	1	PC.
2			267171-8	FLAT WASHER 6	1	PC.
3			416233-1	EXTHAUST COVER	1	PC.
4			423300-5	FILTER	1	PC.
5			213604-1	O RING 50	1	PC.
6			922242-5	HEX. SOCKET HEAD BOLT M5X25	4	PC.
7			317287-0	TOP CAP	1	PC.
8			931202-6	HEX. NUT M5	1	PC.
9			421573-4	CUSHION R	1	PC.
10			213513-4	O RING 39	1	PC.
11			416234-9	SEPARATOR	1	PC.
12			213393-8	O RING 23	1	PC.
13			416236-5	HEAD VALVE	1	PC.
14			213616-4	O RING 48	1	PC.
15			421576-8	VALVE SHEET	1	PC.
16			416235-7	SYLINDER SEPARATOR	1	PC.
17			213706-3	O RING 67	1	PC.
18			213521-5	O RING 36	1	PC.
19			150744-3	DRIVER COMPLETE	1	PC.
20			213608-3	O RING 47	1	PC.
21			213615-6	O RING 46	1	PC.
22			331567-0	CYLINDER	1	PC.
23			323716-3	CUSHION GUIDE	1	PC.
24			421575-0	CUSHION F	1	PC.
25			268025-2	PIN 5	1	PC.
26			265844-7	HEX. SOCKET HEAD BOLT M6X20	4	PC.
27			262054-7	URETHANE RING 3	1	PC.
28	2		310169-5	* DRIVER GUIDE	1	PC.
29			213569-7	O RING 45	1	PC.
30			310055-0	STOPPER	1	PC.
31			233197-2	COMPRESSION SPRING 7	1	PC.
32			951075-1	SPRING PIN 3-28	1	PC.
33			233199-8	COMPRESSION SPRING 3	8	PC.
34			951075-1	SPRING PIN 3-28	1	PC.
35			216008-6	STEEL BALL 4	1	PC.
36			231236-2	COMPRESSION SPRING 3	1	PC.
37			162189-3	LOCK PIN 6	1	PC.
38			258010-3	SPRING PIN 2.5-25	2	PC.
40			162190-8	TOP CAP GASKET	1	PC.
41			961011-9	STOP RING E-4	1	PC.
42			150961-5	HOUSING COMPLETE	1	PC.
		INC.	421527-1	GRIP	1	PC.
		INC.	421643-9	HOUSING BUMPER R	1	PC.
		INC.	421644-7	HOUSING BUMPER L	1	PC.
		INC.	810681-0	CAUTION LABEL (OLD# 810781-6 - N/L/A)	1	PC.
	1	INC.	816783-0	INDICATION LABEL (TYPE1)	1	PC.
	2	INC.	816312-9	INDICATION LABEL (TYPE2)	1	PC.
43			162198-2	INLET CAP GASKET	1	PC.
44			415784-1	INLET FILTER	1	PC.
45			317101-0	INLET CAP	1	PC.
46	2		252103-8	* HEX. LOCK NUT M5-8	1	PC.
47			286219-7	CAP 12	1	PC.

Item No	Type	Ref	Part No	Description	Qty	Unit
49			922252-2	HEX. SOCKET HEAD BOLT M5X30	3	PC.
50			344267-3	HOOK	1	PC.
51			416237-3	MAGAZINE CAP	1	PC.
52			262054-7	URETHANE RING 3	1	PC.
53			150963-1	MAGAZINE COMPLETE	1	PC.
54			423232-6	RUBBER PLATE 6-20	1	PC.
55			231791-4	TENSION SPRING 5	1	PC.
56			414934-5	HOLDER CAP	1	PC.
57			268026-0	PIN 4	1	PC.
58			421418-6	RUBBER PIN 9.5	1	PC.
59			413069-9	COVER	1	PC.
60			421418-6	RUBBER PIN 9.5	1	PC.
61			266167-6	HEX. SOCKET HEAD BOLT M4X10	1	PC.
62			233201-7	COMPRESSION SPRING 6	1	PC.
63			323713-9	LOCK PIN	1	PC.
64			268024-4	PIN 4	1	PC.
65			233101-1	COMPRESSION SPRING 4	1	PC.
66			344633-4	CHECK CLAW	1	PC.
67	2		310179-2	* NAIL HOLDER	1	PC.
68	2		310184-9	* ARM	1	PC.
69			233101-1	COMPRESSION SPRING 4	1	PC.
70			233101-1	COMPRESSION SPRING 4	1	PC.
71			262054-7	URETHANE RING 3	1	PC.
72			233204-1	COMPRESSION SPRING 5	1	PC.
73			310050-0	LOCK LEVER	1	PC.
74	3		310180-7	* DOOR	1	PC.
75			233127-3	COMPRESSION SPRING 7	1	PC.
76	1		344451-0	* CONTACT ARM	1	PC.
	2		345640-0	* CONTACT ARM	1	PC.
77	4		265487-5	* H.S. BUTTON HEAD BOLT M5X16	1	PC.
78			213054-0	O RING 9	1	PC.
79			213261-5	O RING 17	1	PC.
80			323714-7	PISTON	1	PC.
81			233198-0	COMPRESSION SPRING 9	1	PC.
82			262075-9	RUBBER RING 16	1	PC.
83			344452-8	CUP WASHER 5	1	PC.
84			962103-7	RETAINING RING R-24	1	PC.
85	2		922231-0	* HEX. SOCKET HEAD BOLT M5X20	1	PC.
86	2		252103-8	* HEX. LOCK NUT M5-8	1	PC.
87			416238-1	CHANGE PLATE	1	PC.
88			414934-5	HOLDER CAP	1	PC.
89			268027-8	PIN 4	1	PC.
90			233081-1	COMPRESSION SPRING 3	1	PC.
91			231632-4	TORSION SPRING 6	1	PC.
92			818599-9	INDICATION LABEL	1	PC.
93			310047-9	FEEDING CLAW R	1	PC.
94			262054-7	URETHANE RING 3	1	PC.
95			310046-1	FEEDING CLAW F	1	PC.
96			213017-6	O RING 6	1	PC.
97			231978-8	CONICAL COMP. SPRING 9-16	1	PC.
98			310056-8	ADJUSTER	1	PC.
99			951010-9	SPRING PIN 2-14	1	PC.

Item No	Type	Ref	Part No	Description	Qty	Unit
100	2		344895-4	* HOLDER	1	PC.
101			258004-8	SPRING PIN 2.5-16	1	PC.
102			415790-6	TRIGGER	1	PC.
103			344265-7	IDLER	1	PC.
104			323727-8	TRIGGER VALVE CASE	1	PC.
105			213315-8	O RING 19	1	PC.
106			233136-2	COMPRESSION SPRING 14	1	PC.
107			213023-1	O RING 4	1	PC.
108			415789-1	PILOT VALVE	1	PC.
109			322993-4	TRIGGER VALVE STEM	1	PC.
110			233189-1	COMPRESSION SPRING 6	1	PC.
111			213162-7	O RING 14	1	PC.
112			416379-3	TRIGGER VALVE GUIDE	1	PC.
113			213023-1	O RING 4	1	PC.
114			213162-7	O RING 14	1	PC.
115			213023-1	O RING 4	1	PC.

ACCESSORIES

- See catalogue or visit www.makita.ca for other optional accessories -

A01	1		192517-8	SAFETY GOGGLE	1	PC.
	2		195246-2	SAFETY GOGGLE	1	PC.
A02			181434-7	OIL SUPPLY 30CC	1	PC.
A03	1		421574-2	* NOSE ADAPTER (OLD) F/ CONTACT ARM TYPE 1	1	PC.
A04			783202-0	HEX. WRENCH 4	1	PC.
A05			824490-1	PLASTIC CARRYING CASE	1	PC.
A05		INC.	186347-7	SLIDE LATCH SET	1	SET
A06			193007-4	FIRST AID KIT	1	PC.

SERVICE CHANGES

1. Changes on Driver Guide, Door, Arm and Nail Holder

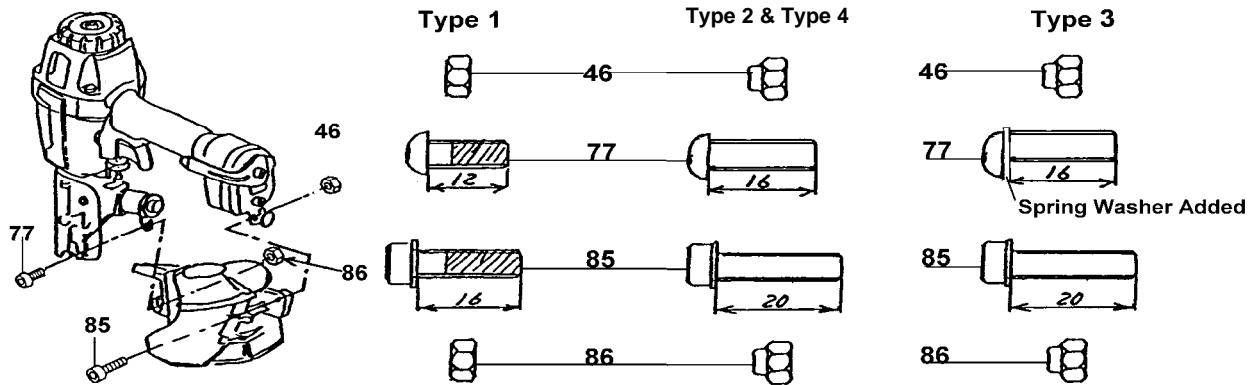
Item No.	Description	Type 1	Type 2	Type 3
28	Driver Guide		310049-5	310169-5
67	Nail Holder	310044-5		310179-2
68	Arm		310045-3	310184-9
74	Door	310048-7	310168-7	310180-7
	Serial No.	~ 29707E	29708E ~ 30711E	30712E ~

Above parts are completely interchangeable as a set.

2. Changes on Hex Nut, H.S. Bolt

Item No.	Description	Type 1	Type 2	Type 3	Type 4
46	Hex Nut	931202-6 Hex Nut M5		252103-8 Hex Lock Nut M5-8	
77	H.S.Bolt	266169-2 M5X12	265487-5 M5X16 W/O Spring washer	265491-4 M5X16 W/ Spring washer	265487-5 M5X16 W/O Spring washer
85	H.S.H.Bolt	265908-7 M5X16		922231-0 M5X20	
86	Hex Nut	931202-6 Hex Nut M5		252103-8 Hex Lock Nut M5-8	

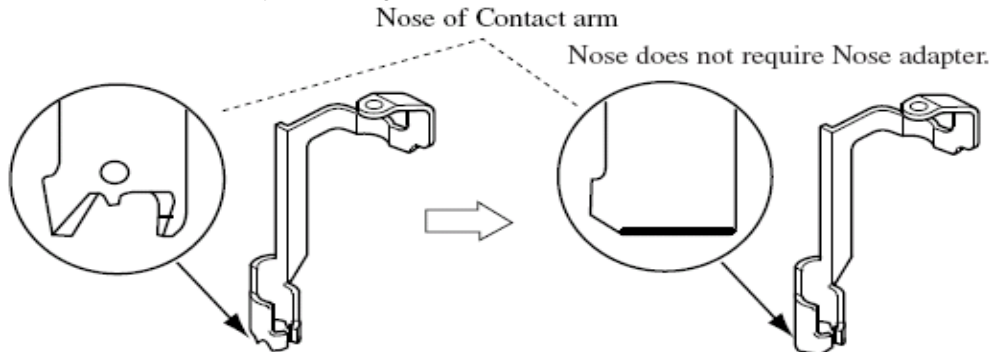
Above parts are completely interchangeable as a set.



3. Changes on Contact Arm

Item No.	Description	Type 1	Type 2
76	Contact Arm	344451-0	345640-0
A03	Nose Adaptor	421574-2	-----

Above parts are completely interchangeable as a set.

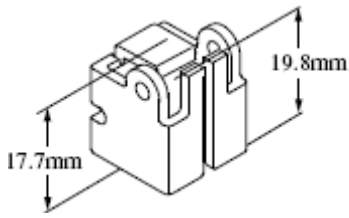


SERVICE CHANGES

4. Changes on Holder

Item No.	Description	Type 1	Type 2
100	Holder	344579-4	344895-4

Type1



Type2

